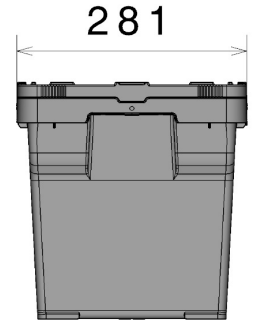
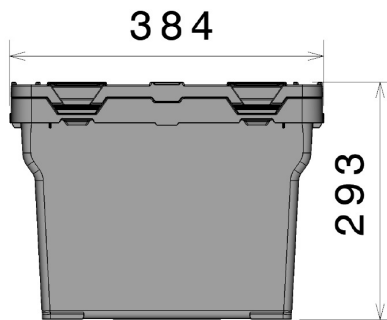



UN Box 22l (4H2-Y6)

4H2/Y6/S/./DK/ETi-23004/Craemer GmbH



Technical Data**			
External Dimensions L x W x H (mm)	384 x 281 x 293 mm	Internal Dimensions L x W x H (mm)	329 x 257 x 283 mm
Volume (l)	22 l		
Material Body / Material Lid	PP / PP		
Holding Capacity (kg)	 6kg		
Available colours	red		
Characteristics		Extra equipment / Accessories**	
Container corresponds to:	UN 4H2	Battery tray	
Prepared for transponder:	Yes	partition wall	
Loading quantities (Pcs / Approximate amount)			
On request			
Labelling			
on the body			



*1 All specifications quoted are subject to change. Craemer reserve the right to make changes to product design and specification.

*2 Extra equipment, accessories, as well as other colors are available at extra cost and on request.